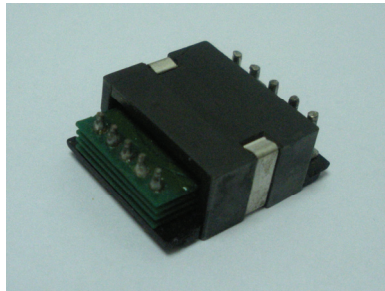


TP25F SERIES

High Frequency 140 Watts
Planar Transformers

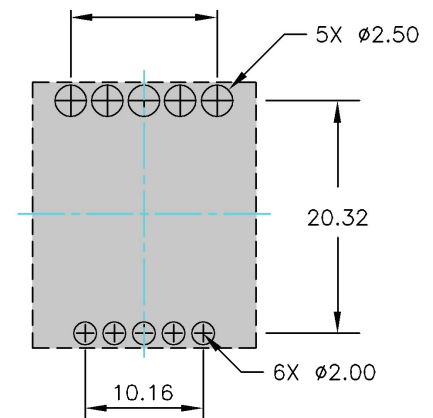
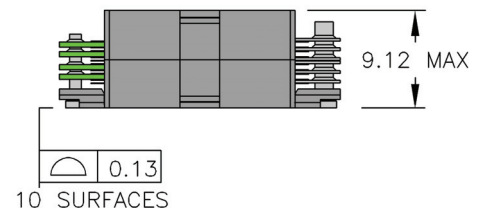
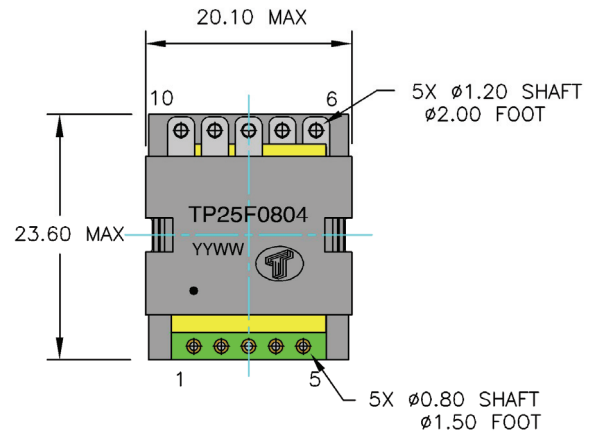


FEATURES

- Power Rating Up to 140 Watts
- High Efficiency
- High Power Density of 600 Watts Per Cubic Inch
- Footprint 23.5 mm X 20.10 mm
- Lower Profile of 9.12 mm
- High Isolation (operational) 1500 Vdc
- High Frequency 200 kHz – 700 kHz
- Operating Temperature -40° C to +125° C

DESCRIPTION

The TP25F series of planar transformers are optimised for power supplies of high performance DC/DC converters. Due to an optimised core, winding geometry and interleaving technology, they are able to offer a high efficiencies up to over 98 percent, high power density of 600 watts per cubic inch, but lower profile of 9.12 mm. The series are consisted of 15 part numbers. Adding a primary auxiliary winding or a small gap to transformers, they will be have more expanding of configurations. The series are intended for use of DC/DC converter supply with forward, full-bridge, half-bridge an and push – pull power supplies. Topologies in application with input voltages between 18 and 75 volts, and output voltages from 52 volts down to 1.xx volts.



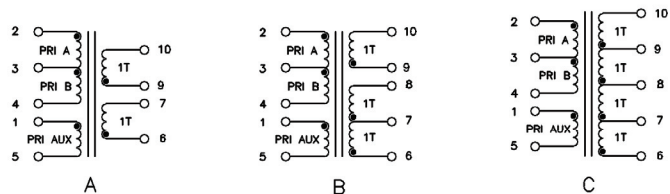
SUGGESTED PAD LAY-OUT

Weight.....12.00 grams
Tray.....40/tray

TP25F SERIES

High Frequency 140 Watts
Planar Transformers

ELECTRICAL SPECIFICATIONS											
Part Number	Primary ¹ Inductance (uH min.)	Leakage ² Inductance (uH max.)	DC Resistance (m Ω Max)			Secondary	Turns Ratio		primary Second Hi Pot	Figure	M. Height
			Primary				Primary (A/B)	Secondary			
			A	B	AUX						
TP25F0802	151.0	0.43	18.0	18.0	N/A	0.9 & 0.9	4T/4T	1T & 1T	1500 (VDC)	A	9.12 mm Max
TP25F0902	191.0	0.43	18.0	20.0	N/A		4T/5T				
TP25F1002	236.0	0.45	20.0	20.0	N/A		5T/5T				
TP25F1102	286.0	0.55	20.0	26.0	N/A		5T/6T				
TP25F1202	340.0	0.60	26.0	26.0	N/A		6T/6T				
TP25F0803	151.0	0.43	18.0	18.0	N/A	1.8 & 1.8	4T/4T	2T & 1T	1500 (VDC)	B	
TP25F0903	191.0	0.43	18.0	20.0	N/A		4T/5T				
TP25F1003	236.0	0.45	20.0	20.0	N/A		5T/5T				
TP25F1103	286.0	0.55	20.0	26.0	N/A		5T/6T				
TP25F1203	340.0	0.60	26.0	26.0	N/A		6T/6T				
TP25F0804	151.0	0.43	18.0	18.0	N/A	8.00	4T/4T	4T (1T:1T:1T:1T)	1500 (VDC)	C	
TP25F0904	191.0	0.43	18.0	20.0	N/A		4T/5T				
TP25F1004	236.0	0.45	20.0	20.0	N/A		5T/5T				
TP25F1104	286.0	0.55	20.0	26.0	N/A		5T/6T				
TP25F1204	340.0	0.60	26.0	26.0	N/A		6T/6T				



SCHEMATICS

NOTES:

1. The inductance is measured on HP4284 between pins 2 - 4 at 100 kHz, 100 mVrms, 0 Adc.
2. The leakage inductance is measured between pins 2 - 4 with all other winding shorted.
3. All specifications typical at T_A=25° C.